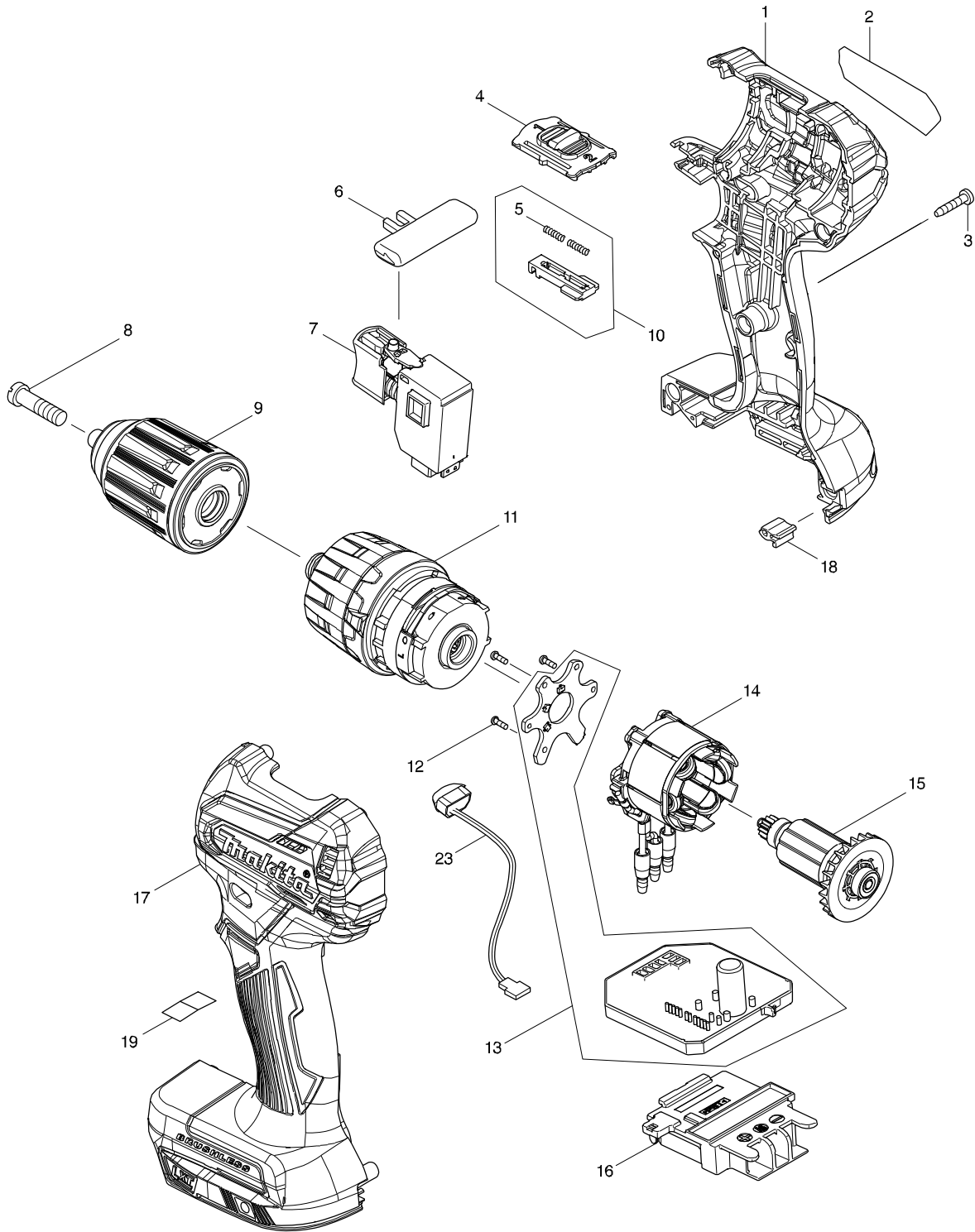


Model No. DHP483 CORDLESS HAMMER DRIVER DRILL



Model : DHP483 CORDLESS HAMMER DRIVER DRILL

Item	Sub	Parts No.	Parts Description	Qty
1		183E19-5	HOUSING SET	1
1	C10	263005-3	RUBBER PIN 6	2
1	C20	252126-6	HEX. LOCKING NUT M4-7 INC. 17	2
2		852L52-7	DHP483 NAME PLATE	1
3		266429-2	TAPPING SCREW 3X16	8
4		457020-9	SPEED CHANGE LEVER	1
5		233025-1	COMPRESSION SPRING 2	2
6		419041-9	F/R CHANGE LEVER	1
7		650689-0	SWITCH C3JW-2B	1
8		251468-5	FLAT HEAD SCREW M6X22	1
9		763241-6	KEYLESS DRILL CHUCK 13	1
10		123587-6	CHANGE LEVER ASS'Y INC. 5	1
11		123867-0	GEAR ASSEMBLY	1
12		266490-9	TAPPING SCREW PT 2X6	3
13		620555-5	CONTROLLER	1
14		629228-7	STATOR	1
15		619410-6	ROTOR	1
16		643874-2	TERMINAL	1
17		183E19-5	HOUSING SET	1
17	C10	263005-3	RUBBER PIN 6	2
17	C20	252126-6	HEX. LOCKING NUT M4-7 INC. 1	2
18		424517-3	CUSHION	1
23		620549-0	LED CIRCUIT	1